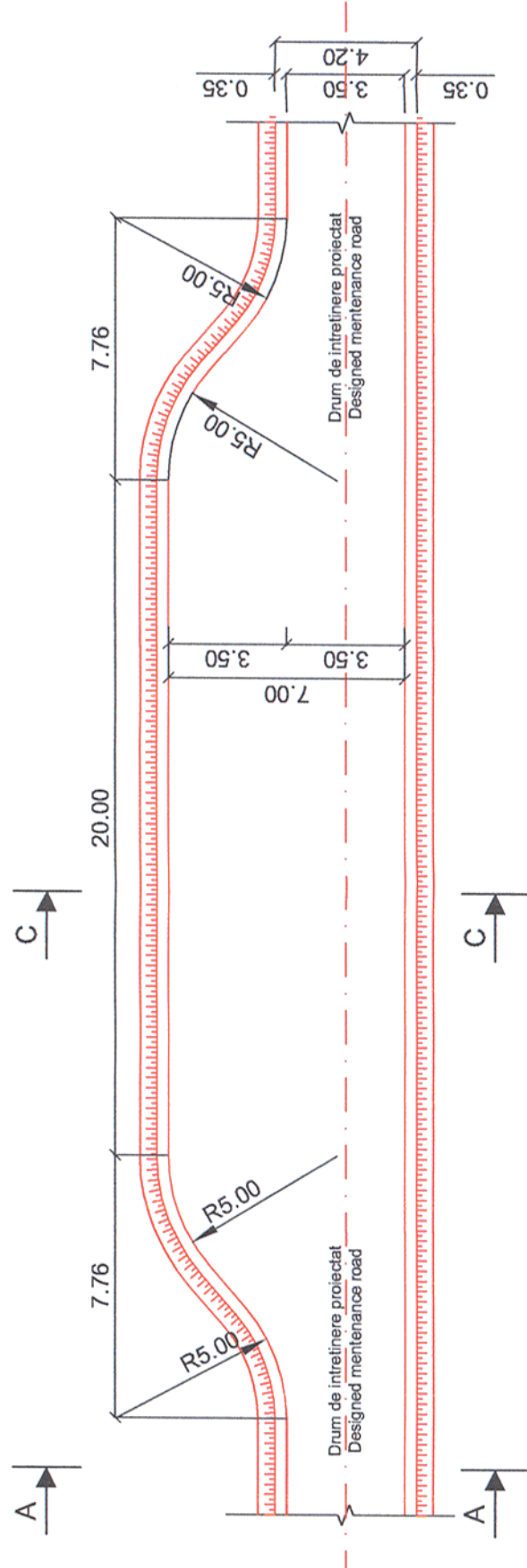


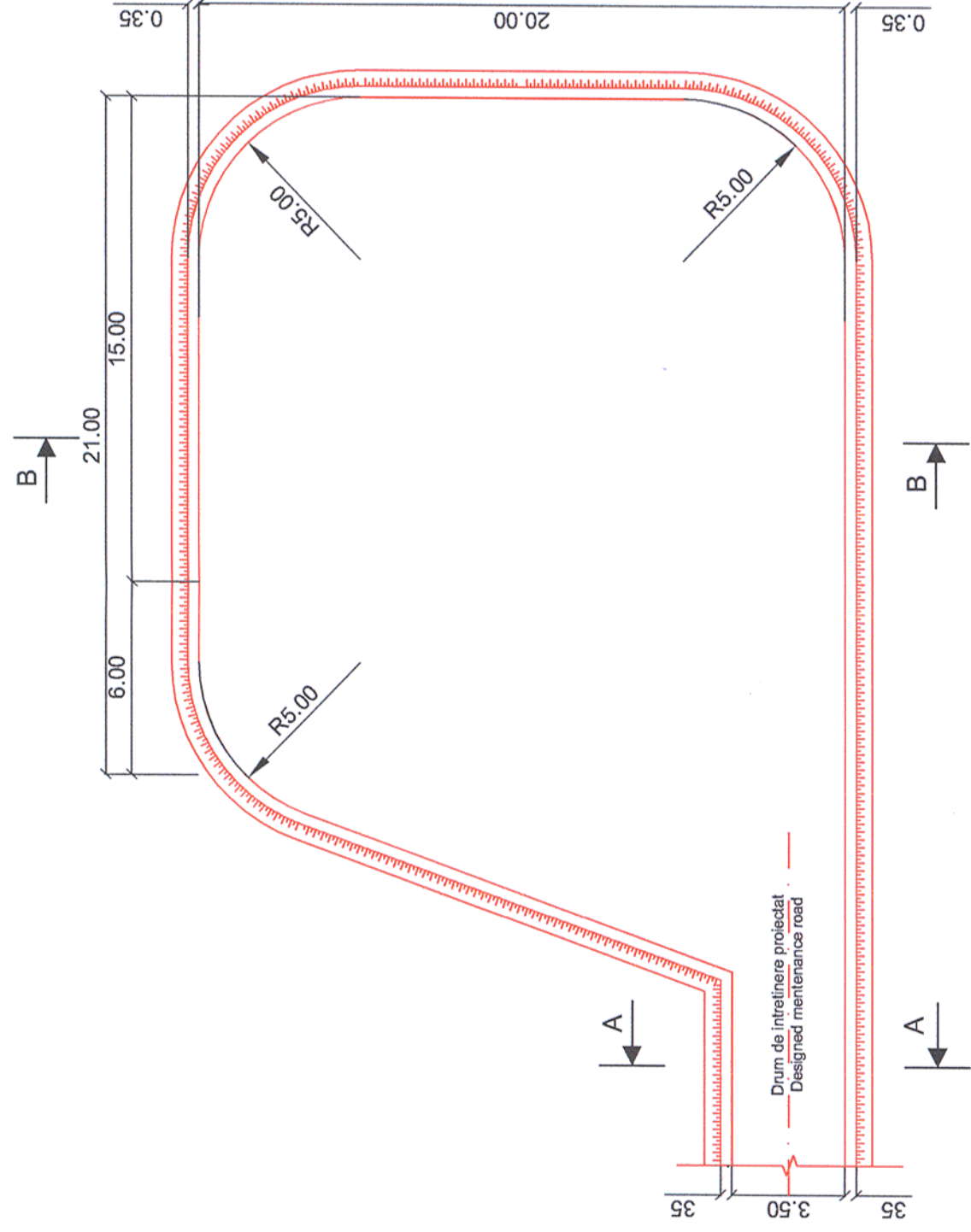
PLATFORMA DE INCRUCISARE / CROSSING PLATFORM
Vedere in plan / View plan

Scara / Scale 1:200

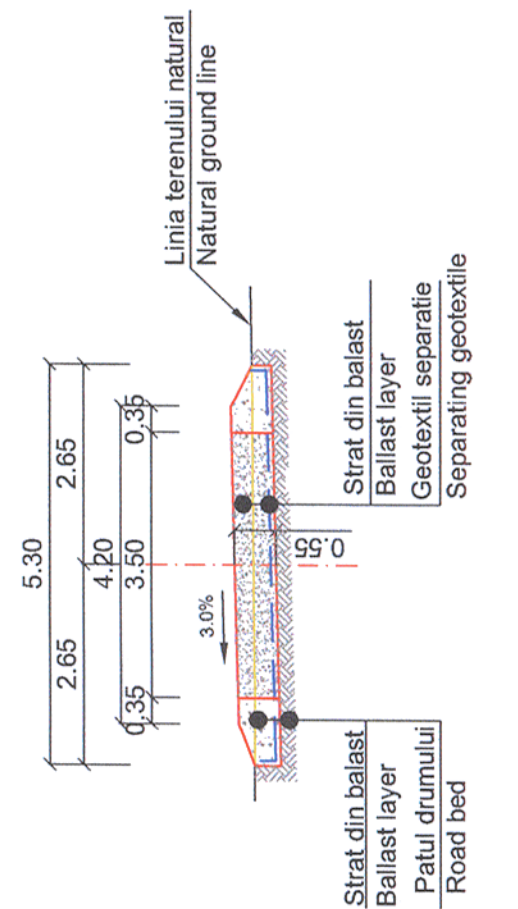


PLATFORMA DE INTOARCERE / RETURN PLATFORM
Vedere in plan / View plan

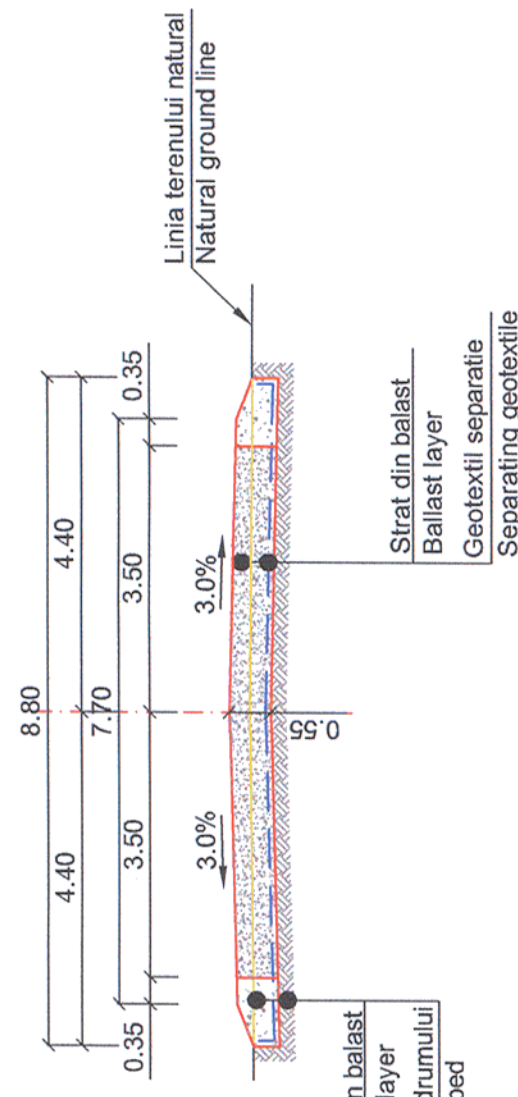
Scara / Scale 1:200



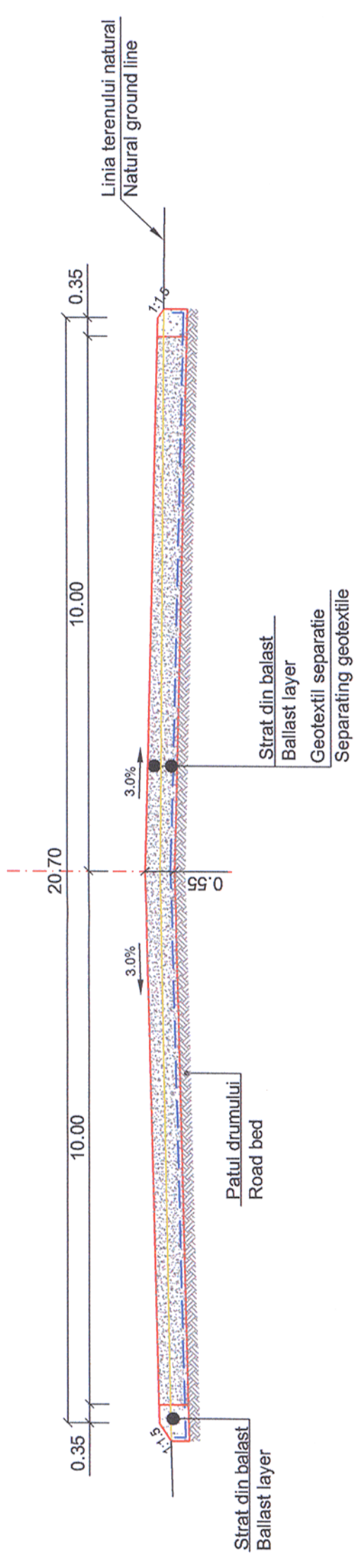
Sectiunea / Section A-A
Scara / Scale 1:100



Sectiunea / Section C-C
Scara / Scale 1:100



Sectiunea / Section B-B
Scara / Scale 1:100

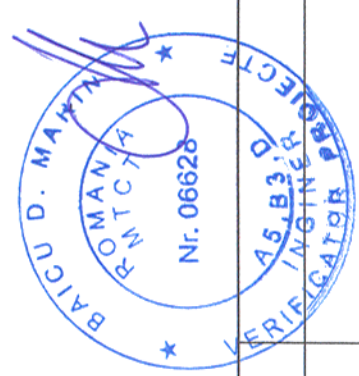


Nota:

Drumul tehnologic va fi prevazut cu platforme de intoarcere la capete si cu platforme de incrucisare la maxim 200 m distanta.

Note:

The technological road will be provided with edge return platforms and crossing platforms at a maximum distance of 300 m.



Verificator / Expert
Checker / Expert

Cerinta
Requirement

Semnatura
Signature

Referat / Expertiza
Report / Expertise



MINISTERUL
TRANSPORTURILOR

BENEFICIAR / BENEFICIARY:
CFR
COMPANIA NATIONALA DE CAI FERATE "CFR" SA



PROIECTANT / DESIGNER:
POÏRY

COMPANIA NATIONALA DE CAI FERATE "CFR" SA

Semnatura
Signature

Aprobat
Approved

Şef de echipă
Team leader

C. Teodorescu

Data
Date

01.2013

Semnatura
Signature

Verificat
Checked

Expert Cheie
Key Expert

L. Mărculescu

Data
Date

01.2013

Semnatura
Signature

Subcontractant / Subcontractor

VIOTOP

Subcontractant / Subcontractor

VIOTOP

Subcontractant / Subcontractor

Semnatura
Signature

Aprobat
Approved

Adjunct Şef de echipă
Deputy Team leader

A.M. Baicu

Data
Date

01.2013

Semnatura
Signature

Proiectat
Designed

Inginer
Engineer

M. Popa

Data
Date

01.2013

Semnatura
Signature

"Reabilitarea liniei c.f. Frontiera - Curtici - Simeria, parte componenta a coridorului IV Pan - European pentru circulatia trenurilor cu viteza maxima de 160 km/h"

Tronsoanel 3: Gurasada - Simeria

Project 9i
35311.1

Data
Date

01.2013

Semnatura
Signature

"Reabilitarea liniei c.f. Curtici - Simeria, componenta Part of the IV Pan - European Corridor for the Trains Circulation with maximum speed of 160 km/h"

Section 3: Gurasada - Simeria

Faza / Phase:
PTH+CS / TD+TS

Data
Date

01.2013

Semnatura
Signature

Denumire desen / Drawing name:
Drum tehnologic
Technological road

Drum tehnologic
Technological road

Drum tehnologic
Technological road

Drum tehnologic
Technological road

Drum tehnologic
Technological road

Drum tehnologic
Technological road

Scara / Scale
1:200
1:100

Revizia / Revision
0

Cod desen / Drawing Code
PT.03.01.00.TS.413

Nr. / No
01/01